

OIL & GAS + INDUSTRIAL + HELIPORTS

Millard Towers Explosion Proof Windsocks are designed to give helicopter pilots a highly visible indication of wind speed and direction during landing and take-off in all weather and light conditions. For use on all offshore and onshore helideck platforms, the corrosion resistant illuminated windsock is rated for Zone 1 and 2 areas with gas explosion hazard and complies with Transport Canada TP325, ICAO Annex 14 and UK CAA CAP437 specifications. Made from high-grade materials and utilizing cutting-edge components, the assembly requires minimum maintenance - only a periodic visual inspection is required.

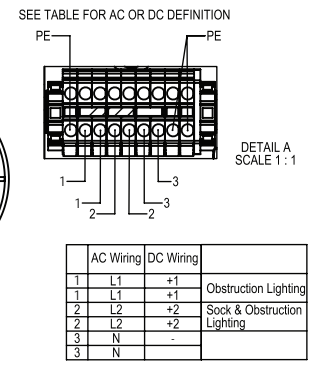
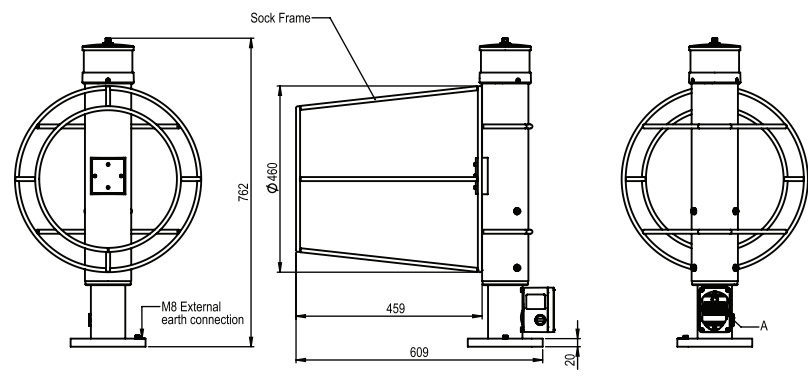
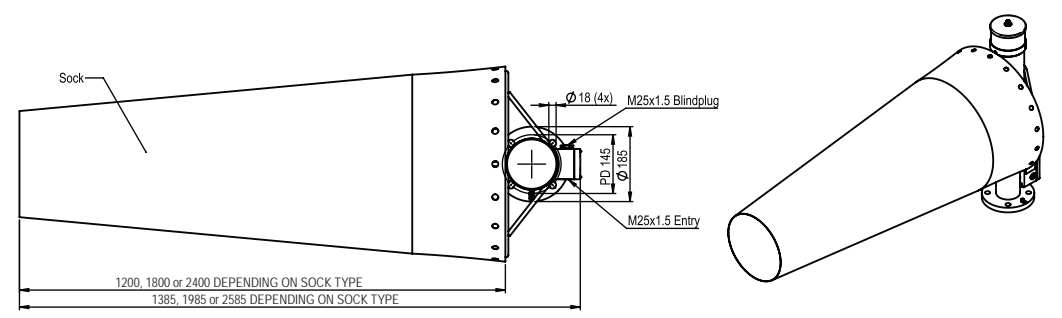


ASSEMBLY

- Suitable for Zone 1 and 2 areas with gas explosion hazard
- Corrosion resistant Stainless Steel
- Low power consumption
- Integrated Obstruction Light
- Low cost of ownership
- No slip ring
- Internal system prevents glare
- Operating Temperature: -40C to +60C

Standards / Certifications:

- Transport Canada TP325
- CAA-UK CAP 437
- ICAO Annex 14
- CAA-UK CAP 168
- Cenelec EN 60079-0, EN 60079-1, EN 6079-7
- SIRA 15ATEX1257; ATEX II 2 G Ex db e IIB T5 Gb
- ABNT NBR IEC 60079-0, ABNT NBR IEC 60079-1, ABNT NBR IEC 60079-9
- Inmetro NCC 17.0028



PART NO	POWER CONSUMPTION	VOLTAGE	FREQUENCY	OBSTRUCTION LIGHT
WSEP-18VL	8.5W	110-254VAC	50 / 60 Hz	-
WSEP-18VL-OB10	14W	110-254VAC	50 / 60 Hz	10cd
WSEP-18VL-OB32	18W	110-254VAC	50 / 60 Hz	32cd
WSEP-18SL	7W	20-32VDC	-	-
WSEP-18SL-OB10	12W	20-32VDC	-	10cd
WSEP-18SL-OB32	17W	20-32VDC	-	32cd

FABRIC

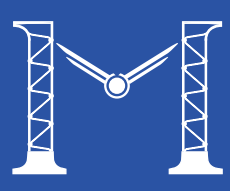
- UV treated Oxford polyester
- Double layer reinforcement at throat
- 12mm brass grommets and Stainless Steel cable ties for attaching
- Customizable with black print

PART NO	DIAMETER	LENGTH	COLOUR
FABR-1804-ORNG	46cm	120cm	Orange
FABR-1804-RDWH	46cm	120cm	Red/White (x5 Bands)
FABR-1806-ORNG	46cm	180cm	Orange
FABR-1806-RDWH	46cm	180cm	Red/White (x5 Bands)
FABR-1808-ORNG	46cm	240cm	Orange
FABR-1808-RDWH	46cm	240cm	Red/White (x5 Bands)



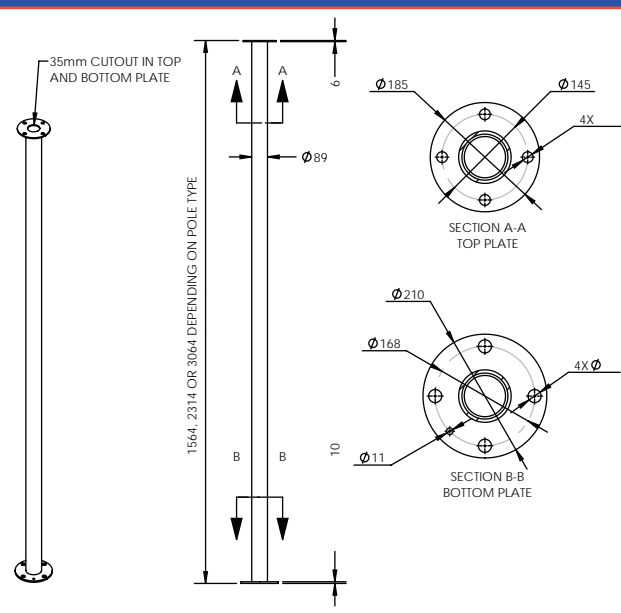
POLES

- Engineered to CSA S37
- Stainless Steel
- Gusseted for added durability
- Grommets for electrical connections



MILLARD TOWERS LTD.

+1 (905) 377-9808
Sales@MillardTowers.com
www.Windsocks.ca



PART NO	NOMINAL HEIGHT	MATERIAL	FINISH
150W-SSFB	1.50m	Stainless Steel	Bare
225W-SSFB	2.25m	Stainless Steel	Bare
300W-SSFB	3.00m	Stainless Steel	Bare

CSA S37 FOUNDATION LOADS (Based on 3m Pole)	WIND: 750 Pa ICE: 12.5mm (F)
MAXIMUM VERTICAL	130 KG
MAXIMUM HORIZONTAL	280 KG
MAXIMUM OVERTURNING MOMENT	6,600 Nm